

B-DES8/2 ..... X ..... X .....

K ..... / S .....



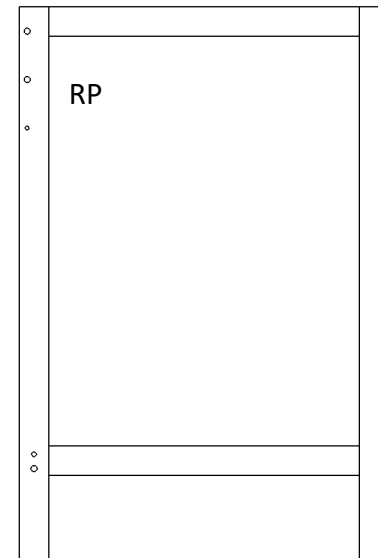
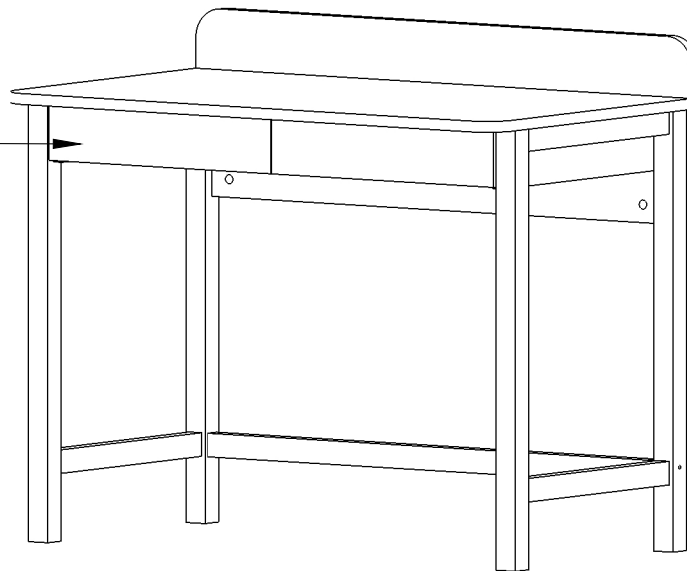
**PR**



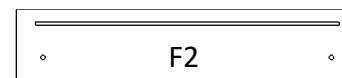
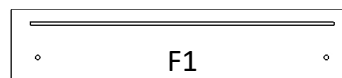
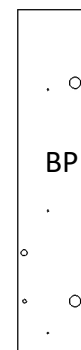
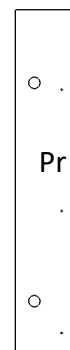
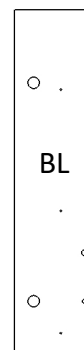
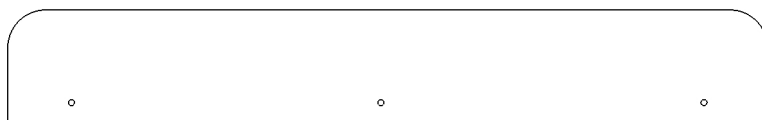
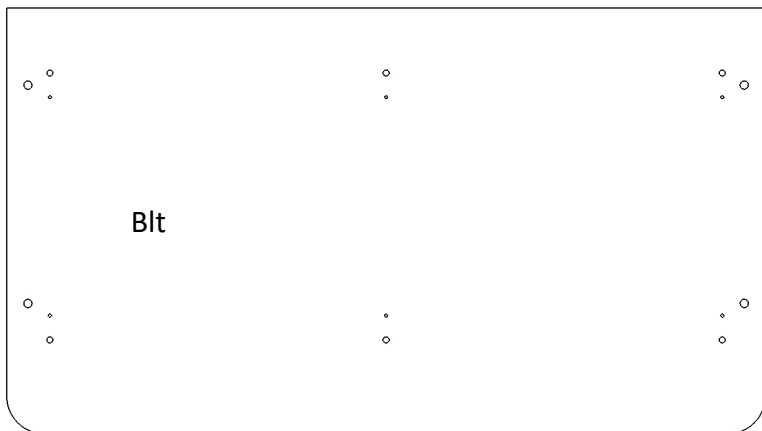
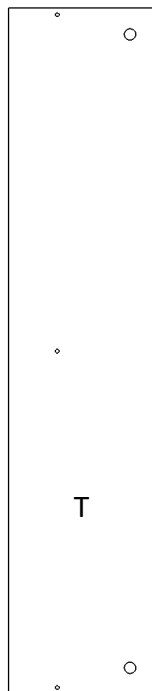
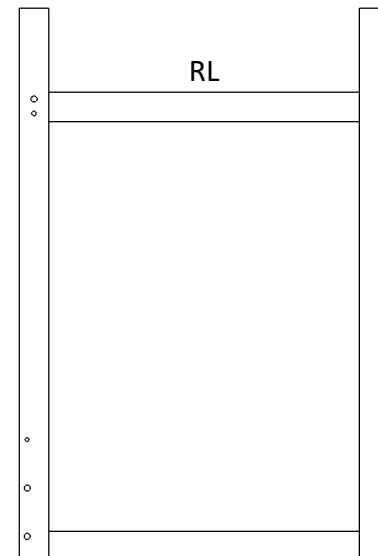
**PK**



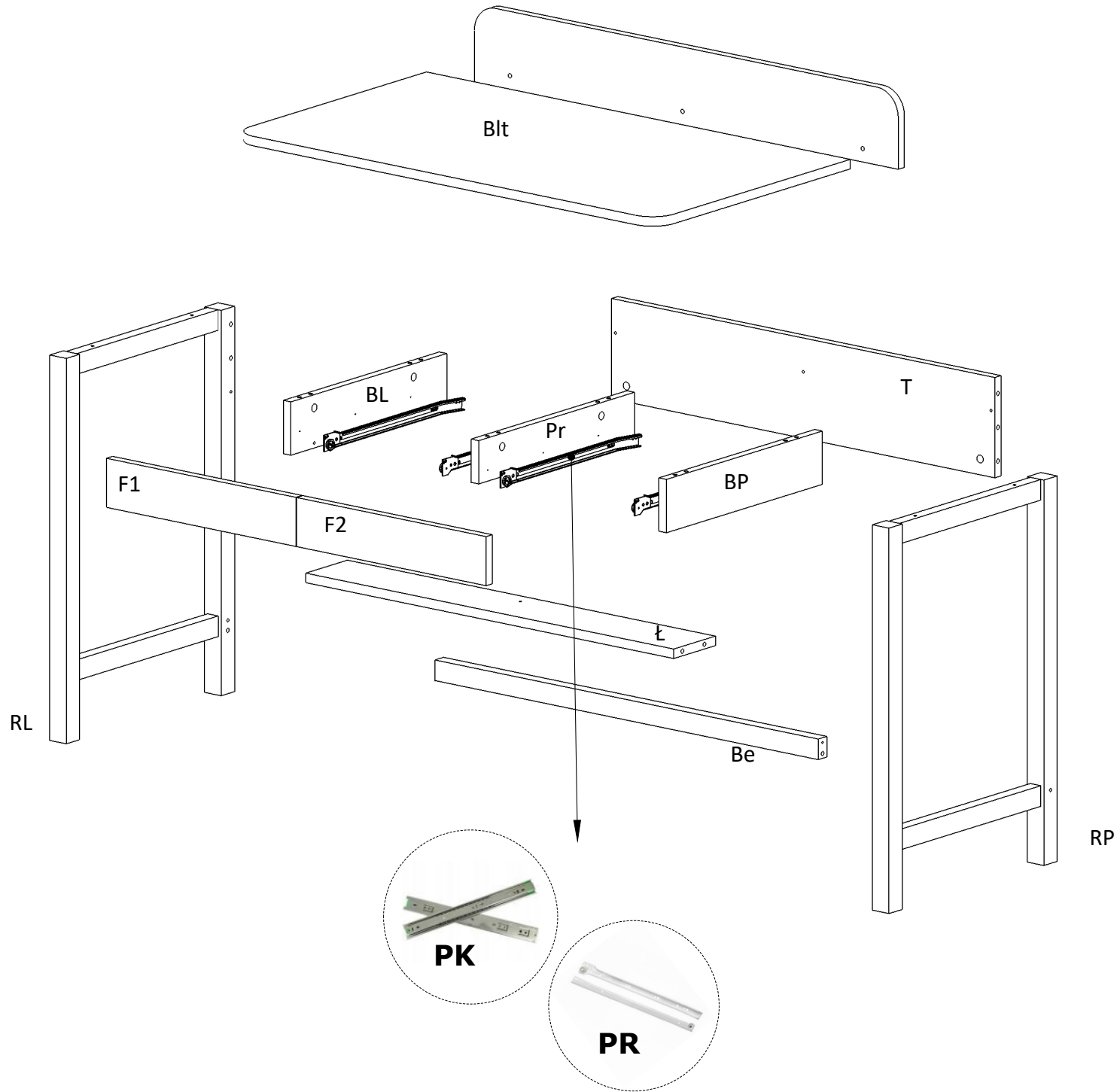
**+SZF-K,R-1**



Be



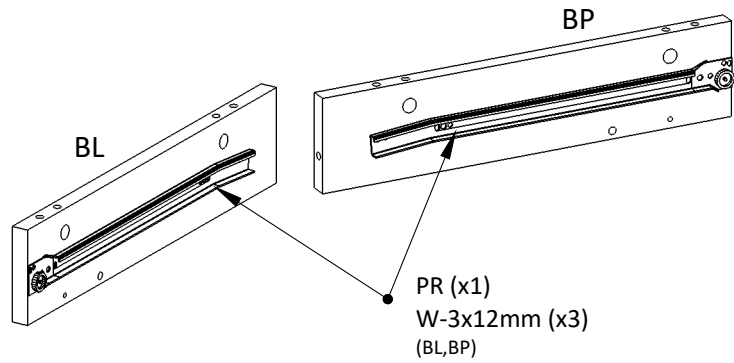
0



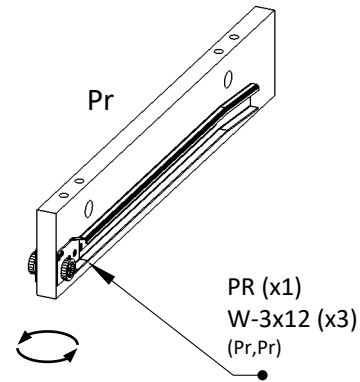
- K**
- KF1**
- MT1**
- M1**
- S1**
- KL4**
- G**
- i8**  
7x80mm
- i5**  
6x50mm
- PR**  
400mm - 100  
450mm - 120
- W312**  
3x12mm  
12mm
- W316**  
3x16mm  
16mm



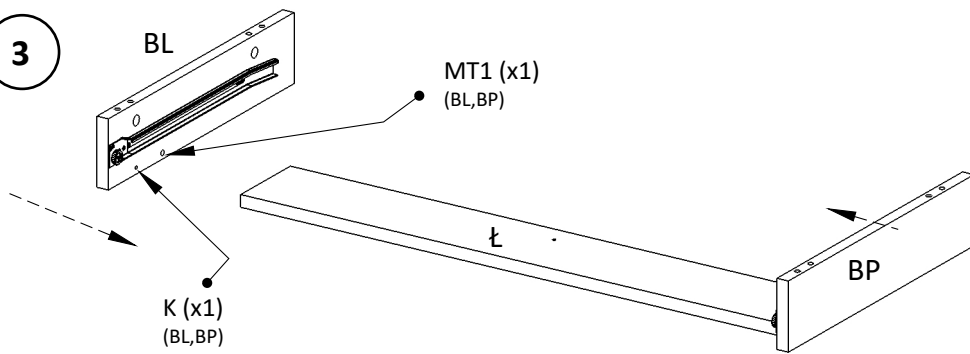
1



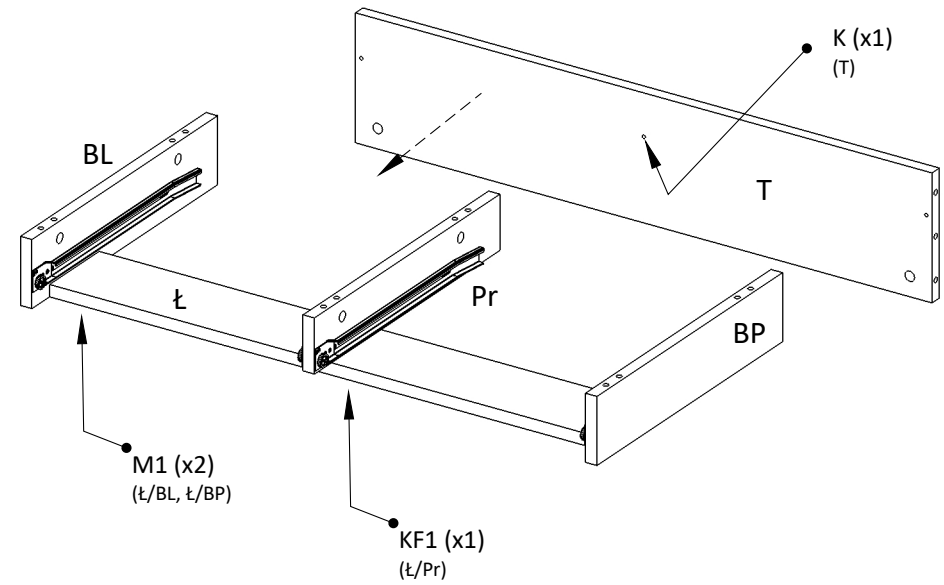
2



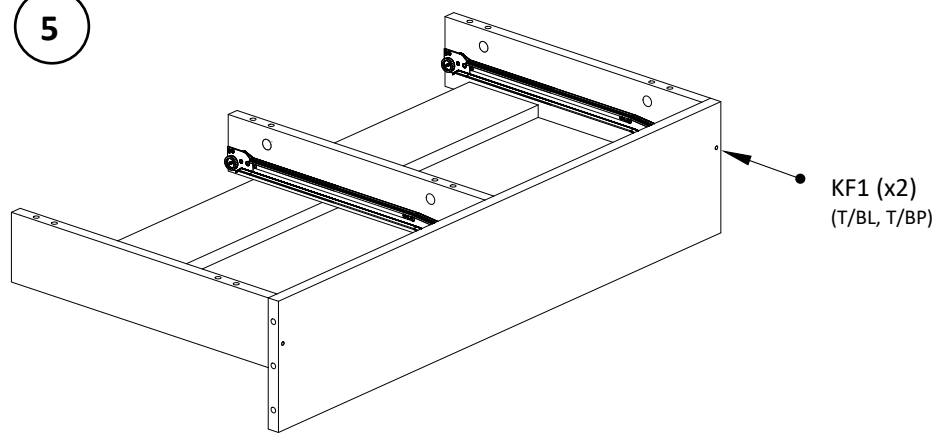
3

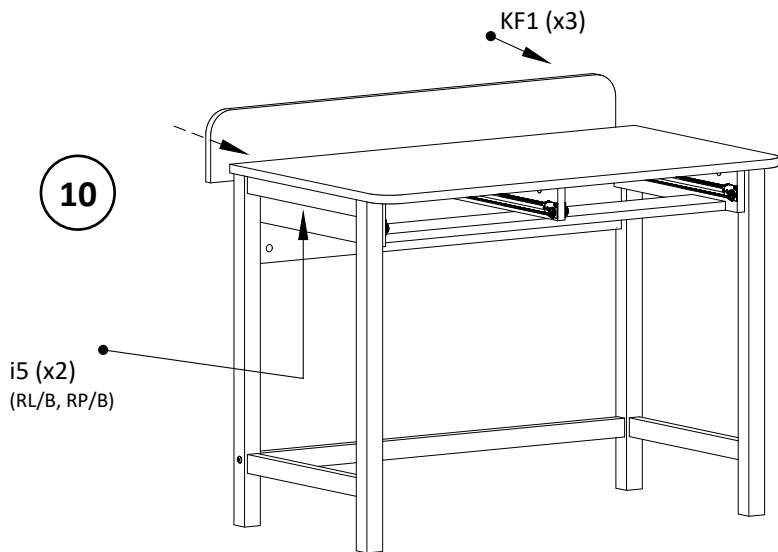
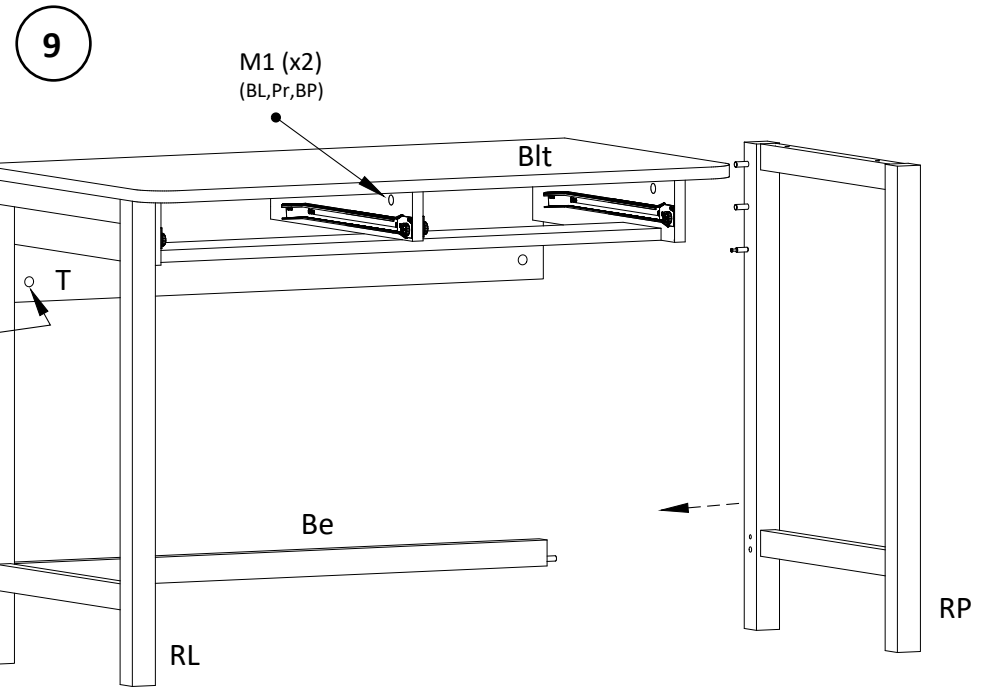
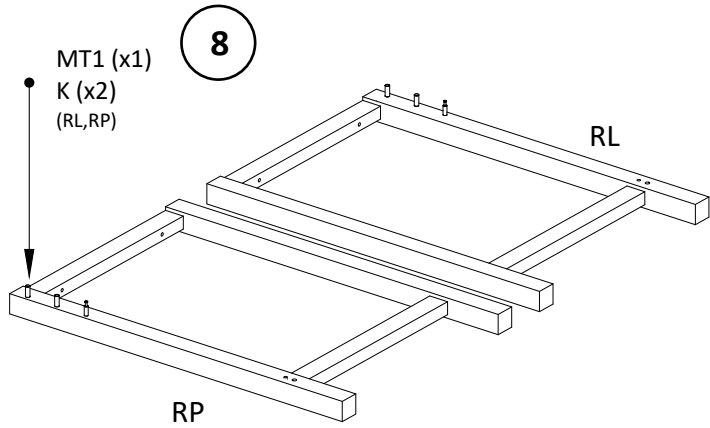
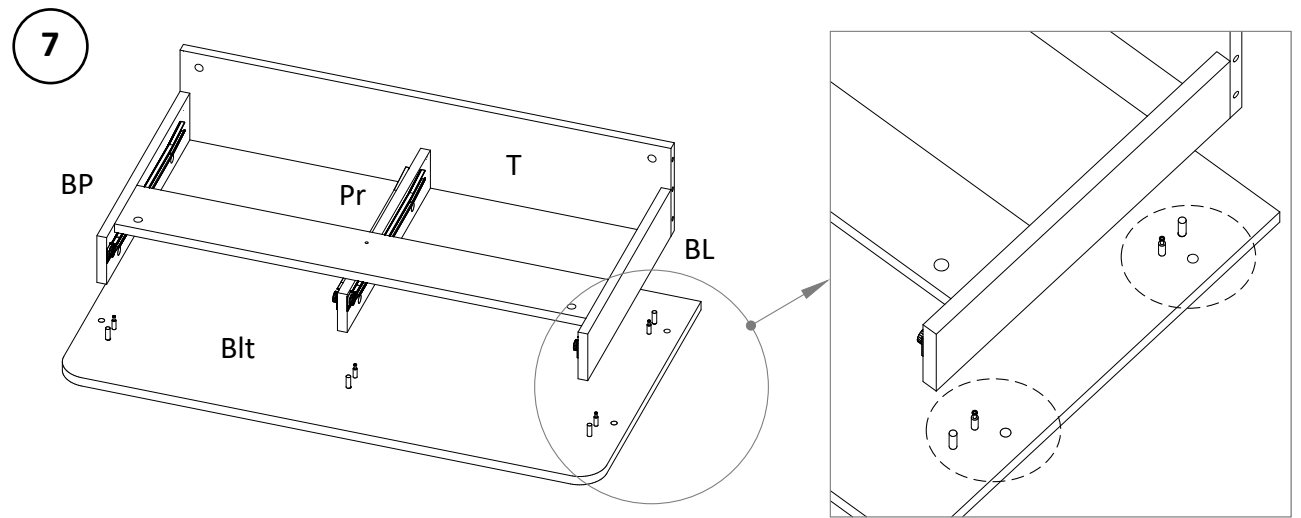
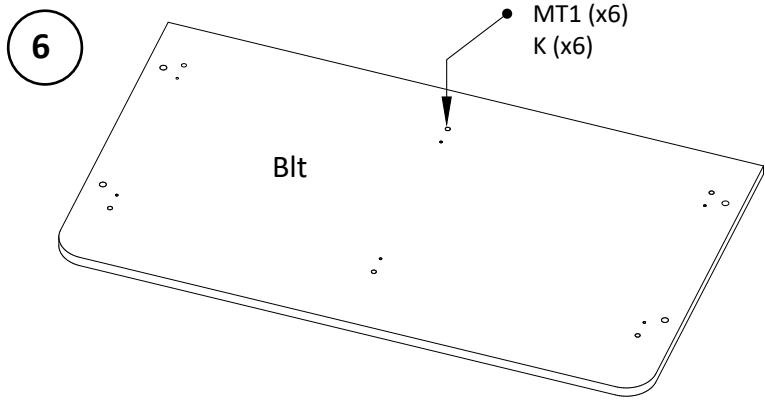


4



5





**11**



**SZF-K,R-1**